

ARMERA[®]

Installation Instructions

Oculus Floor standing Bath Shower Mixer

OC.134

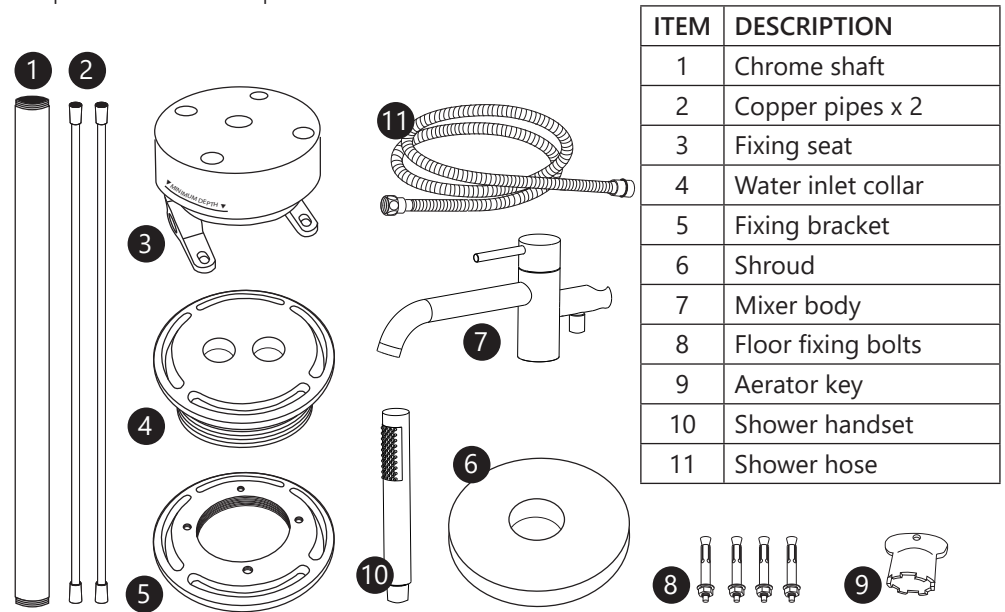


Please Note

Please follow all instructions carefully. Failure to do so could invalidate your guarantee. As with the installation of any water bearing product, you must make sure that any laws prevalent to your area are followed. Such laws may include Local & National Water Supply Authority Regulations or Byelaws and Building and Plumbing Regulations. We recommend that a qualified registered plumber is used to install your product. Please ensure that when fitted, the product is easily accessed for service and maintenance requirements. ARMERA cannot be held liable for costs associated with accessing the product after it is fitted.

Before starting installation

Please remove all packaging and make sure no components are missing. The following components should be present:

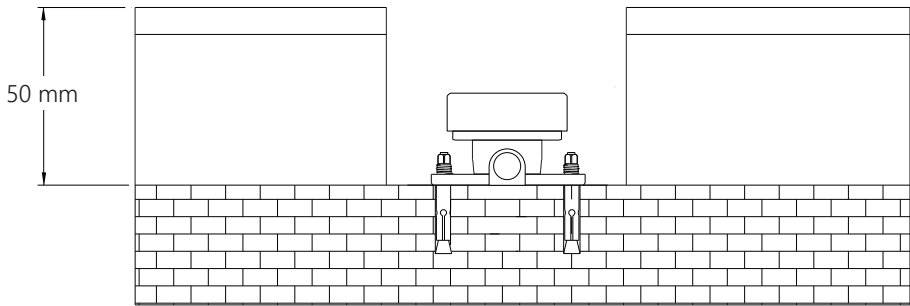


Do not dismantle the product. The cartridge (located in the body) has been calibrated and tested and must not be tampered with prior to installation.

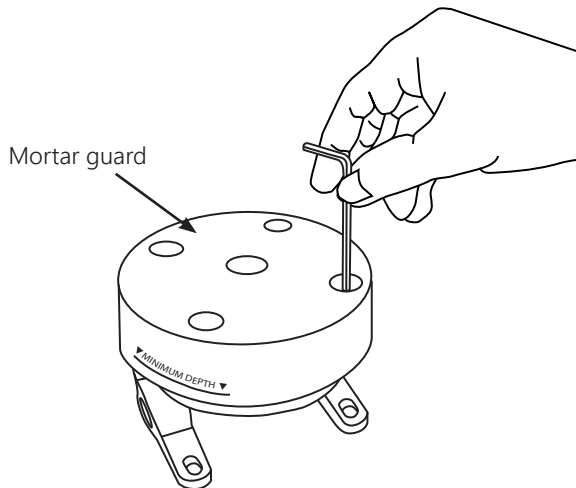
We recommend water inlet pressure of 1 to 5 bar.

Installation

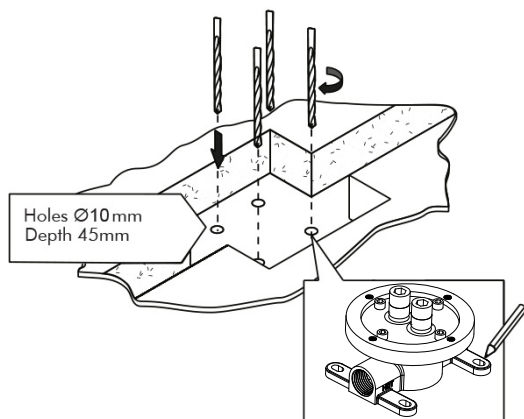
1. This product requires adequately balanced hot and cold water supplies.
2. Before installation, please ensure that the plumbing system has been fully flushed to remove dirt and debris.
3. Turn off the water supply.
4. The fixing seat must be recessed below floor level by at least 50mm.



5. Once you have set the correct recess in your floor, use an allen key to remove the 4 x 22mm screws that hold the mortar guard onto the fixing seat and remove the mortar guard. Keep the screws to one side.

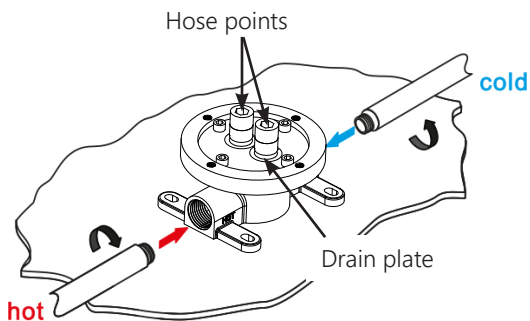


6. Mark the positions of the 4 fixing points in the fixing seat. Drill holes and use the floor fixing bolts to secure the fixing seat in position. **NOTE:** the fixing seat can be fixed in any orientation inside your recess as the final fix parts are fully adjustable.

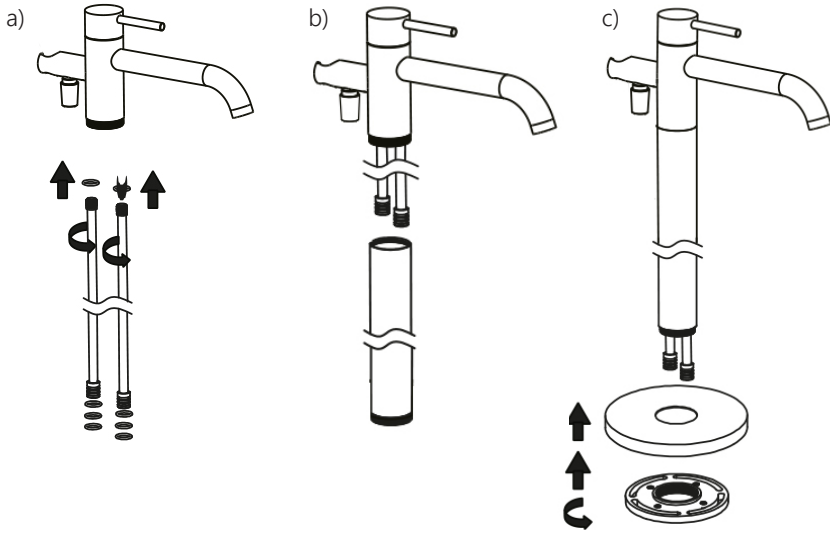


7. **TAKE CARE:** When performing the following step, please ensure to keep clear of open outlets. Water being delivered may be hot.

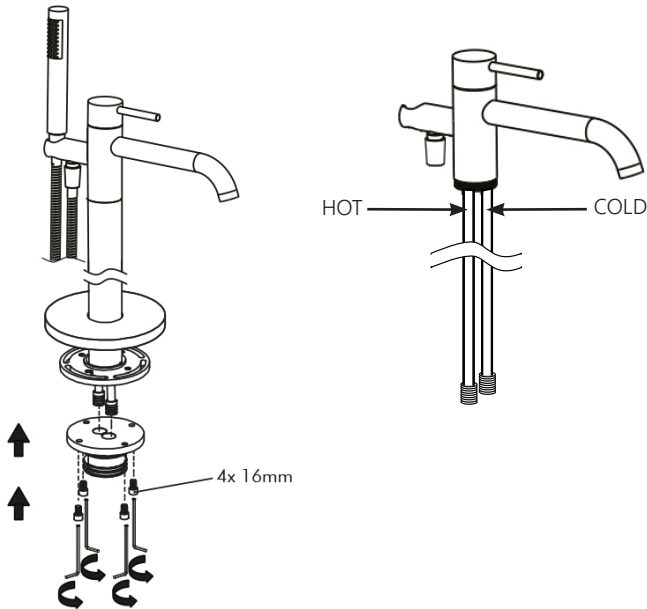
Connect the hot and cold water supplies into the fixing seat. If you have not already done so, flush the plumbing system to remove any dirt or debris by removing the brass bungs and attaching a hose to each hose point on the drain plate. Ensure the open end of the hose is positioned above a drain or in a bucket and turn on the water supply. When this process is complete, turn off the water supply and remove the drain plate. Keep the 4 x 16mm screws to one side



8. Screw the copper pipes into the base of the mixer body and then attach the chrome shaft to the mixer body. Finally, attach the shroud and fixing bracket to the chrome shaft.

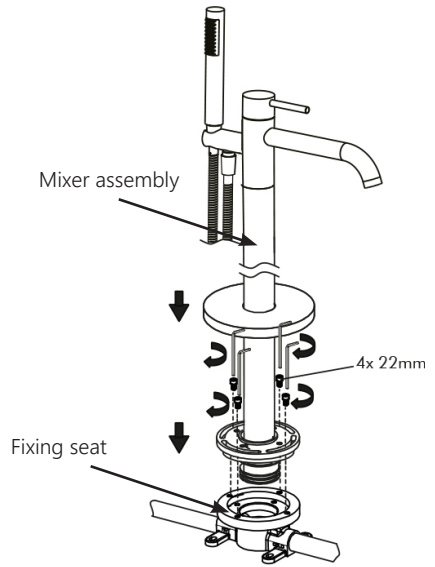


9. Push the copper pipes into the hot and cold inlets on the water inlet collar. **NOTE:** the hot supply pipe is on the left and the cold supply pipe is on the right. Next, secure the water inlet collar to the fixing bracket using the 4 x 16mm screws that were removed from the drain plate in step 7.



10. Attach the entire mixer assembly to the fixing seat and rotate it so that it faces in the desired direction. Secure the assembly in position using the 4 x 22mm screws that were removed from the mortar guard in step 5. Finally, attach the shower handset and hose.

11. Turn on the water supply and check for leaks with the mixer in the on and off positions and water diverted to the spout and handset.

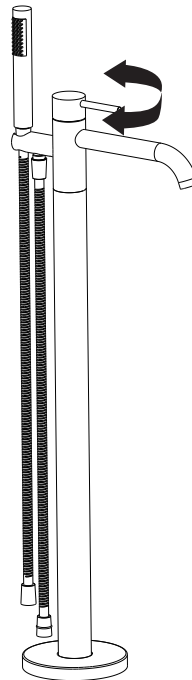


Operation

This product features an integrated diverter and flow control.

When the handle is turned anti clockwise, water will be diverted to the shower handset. The further the handle is turned in this direction, the hotter the water will get.

When the handle is turned clockwise, water will be diverted to the bath spout. The further the handle is turned in this direction, the hotter the water will get.



Contact Us

Should you need any assistance, please e-mail us at info@armera.co.uk or call 01225 251 204

Caring for your Armera product

We recommend only cleaning your product with a soft damp cloth. Please do not use any other cleaning products as they may damage the high quality finish of this product.

Guarantee

This ARMERA product is guaranteed against manufacturing defects. The cover period is from date of supply to the Armera customer and will last for 2 years for parts and labour. The parts guarantee can be extended to 15 years by registering your guarantee. To register your guarantee and review all guarantee conditions, please go to www.armera.co.uk

